

iLaserBox 450

DATA SHEET

COMPACT LASER MARKING WORKSTATION



iLaserBox 450 by **MACSA**
Complete. Compact. Affordable.

iLaserbox 450

Compact and economical bench top system

iLaserbox 450 has been designed to be compatible with the following models of Macsa lasers, Series F, Series D and Nano.

It is perfect for small to medium sized production and ensures the operator can work safely and in comfort whilst achieving a consistent level of laser marking quality.

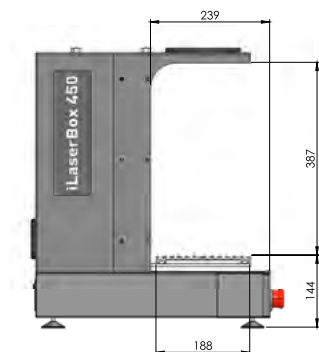
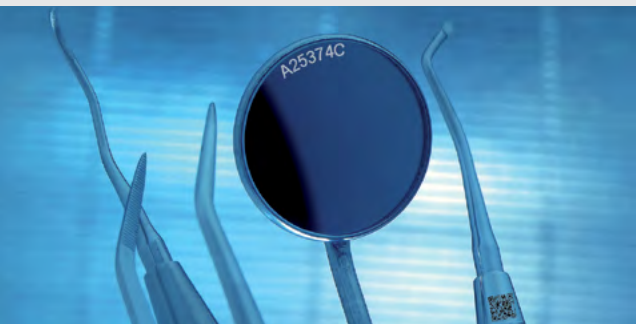


Benefits:

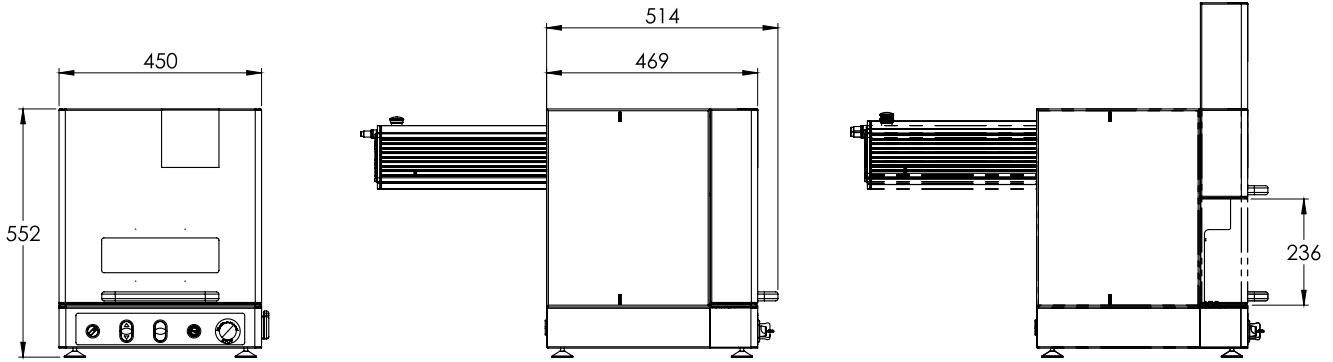
- Guarantees safety and well-being of the operator.
- Optimizes space utilization in your factory
- Ensures consistent and high precision marking results
- Includes the facility to mark oversized parts
- Easy installation and setup with maintenance free operation

Special features:

- Laser safe Class I enclosure
- Compact and ergonomic design
- Class IV override mode
- Red pointer for easy placement of parts
- Motorized Z axis for easy adjustments of laser with a T slot base for attaching custom tooling.
- Internal light for optimum visibility



iLaserBox 450



Dimensions (mm)	450W x 550H x 515L
Weight (excl. laser)	89 Kg
Lens	100 x 100 mm (standard) 160 x 160 mm 200 x 200 with part height restricted <10mm
Door opening	240mm
Power requirements	150KVA (excl. laser)
Z-axis travel	150mm
Internal Light	LED with dimmer switch
Class IV override	No
Cooling	Air
User interface	Touch Screen, PC
Door Type	Manual
Maximum Part height	150mm with 100 x 100mm lens 150mm with 160 x 160mm lens 20mm with 212 x 212mm lens
Compatible lasers	AB-F range AB-N range AB-D range
Class IV override	No
Accessories	
Open door red pointer diode	Needed to view simulation when door is open

* Workstations are built from welded steel construction.

SIGTECH AG

Kennzeichnungstechnik mit Automation

Ihr Partner für Macsa-Lasersysteme in der Schweiz

SIGTECH AG
Kennzeichnungstechnik mit Automation

Hauptstrasse 72
 CH-5037 Muhen
 Tel. +41 62 738 32 32
 www.sigtech-ag.ch

- Beratung und Verkauf
- Inbetriebnahme und Schulung
- Software und Steuerung
- Ersatzteile, Reparatur und Service
- Bei kompletten Lasermarkierungsanlagen:
 Konstruktion, Fertigung, Integration,
 Automation und Datenbankbindung

