

«We offer customized
solutions combined
with a strong service.»

AUTOMATION | INKJET PRINTER |

LABELING | LASER MARKING |

SPECIAL MACHINE CONSTRUCTION | SERVICES |



Contact

Address

Hauptstrasse 72, 5037 Muhen

Phone

+41 62 738 32 32

E-Mail

sigtech@sigtech-ag.ch



SIGTECH AG

**Coding and marking
technology with automation**

CUSTOMIZED SOLUTIONS

STRONG CUSTOMER SERVICE

Since its foundation in 1996, SIGTECH AG has been continuously driven forward and can look back with pride on a successful development.

WHAT WE STAND FOR

- Labeling solutions specially tailored to you and suitable for industrial processing
- Many years of experience and extensive know-how
- Strong and competent team that guarantees flawless order processing



WHY SIGTECH

SERVICE

Our fast-acting and experienced technicians offer you professional and flexible services.

OUR PARTNERS

We work together with competent partners so that our customers can benefit from shorter support requests and immediate availability of spare parts.

OUR PRODUCTS

INNOVATIVE SOLUTIONS

Discover our highly developed and innovative labeling solutions.

INK SYSTEMS

We offer you markings on various materials at maximum speed and precision.

LABELING TECHNOLOGY

We offer you small and large-scale labeling options for various products.

LASER

We offer you a labeling option that requires virtually no consumables.

STENCILING TECHNIQUE

We offer you various stencils and aids for precise labeling technology.

THE SOLUTION FOR YOUR MOST DIVERSE NEEDS

OUR SOFTWARE RANGE

Individual and customized solutions:

- Modern design of print templates
- Connection to existing databases (e.g. SAP and other ERP systems)
- Control and monitoring of printers

LABELING ALLERGENIC SUBSTANCES

Extensive modules for automatically formatting allergenic substances.

Integration and communication between the various printing technologies is our specialty.

We use modern technology and control inkjet printers, labeling systems and laser marking devices.

LP5 AND NICELABEL

Automation PC software LP5

Our automation PC software enables you to design labels, control printing and monitor labeling systems

Nicelabel

Frequently used software to simplify label design.



«The solution for your most diverse needs»

THE SOLUTION FOR YOUR IDEAL APPLICATION



MOST EFFICIENT

alphaJET 5 X

Reliable, long-lasting product marking with the best printing results.



THE FASTEST

alphaJET 5 X-FP

Reliable, versatile product marking with the best print results.



FOR THE SMALLEST CHARACTERS

alphaJET 5 SP

Precise marking with the best print results in the smallest space.



THE ALLROUNDER

alphaJET HS-M

Wide choice of standard and special inks for product marking.



1 PRESSURE HEAD

RNJet H1+

Easy, affordable marking and coding with the RNJet H1+.



DOUBLE HEAD

RNJet H2+

The RNJet H2+ is ideal for coding small characters in a variety of applications.

THE SOLUTION FOR YOUR ACCURATE PRESENTATION OF PRODUCT INFORMATION



FULLY AUTOMATIC & FLEXIBLE **evolabel FlexWipe**

The evolabel FlexWipe is the latest generation pallet labeler and the most user-friendly printing and labeling system.



LOGISTICS APPLICATOR **evolabel QuickTamp**

Evolabel's printing systems are user-friendly, reliable, and even at high output, they are safe to operate throughout their entire service life.

THE SOLUTION FOR LABELING DOWN TO THE SMALLEST DETAIL



SMART, RELIABLE, VERSATILE **SPA 2 C**

Reliable laser marking in normal, dusty and washable environments.



THE SUSTAINABLE **SPARK**

The SPARK is the small character laser coder for greater sustainability.



THE BEST SELLING **cab Hermes Q**

The Hermes Q4 is ideal for many industrial applications.



COMPACT BUILT **cab IXOR**

The label dispenser with dispensing edge.



THE UNIVERSAL **cab SQUIX**

The best selling, universal label printer.



INTELLIGENT, PRECISE & RELIABLE **SPA 2 F**

The SPA F Pulsed is a fibre laser that specializes in coding and marking a wide range of materials.



SPECIAL CONSTRUCTIONS

FOR ALL YOUR WISHES



Special machine construction in the field of coding and marking technology involves the development and manufacture of customized machines and systems that meet specific requirements in the field of coding and marking.

Special machines in the field of coding and marking technology are often developed individually for specific applications or industries. These may include machines that need to achieve high speeds during marking, systems that can mark special materials or surfaces, or systems that are compatible with different products or production lines.

WE HAVE THE KNOW-HOW IN THE FIELD OF

TRACEABILITY SOFTWARE

ERROR ELIMINATION THROUGH TARGETED AUTOMATION IN PRODUCTION AND LOGISTICS

We offer you device controls for your variable data and traceability. Benefit from our knowledge and many years of experience in this area.

PRINT, READ, CONTROL AND LOG BARCODES ACCORDING TO STANDARD

We have the ability and the know-how to visualize and produce complete systems for automated processes for you.

PRODUCT TRACEABILITY ACCORDING TO GS1 STANDARD

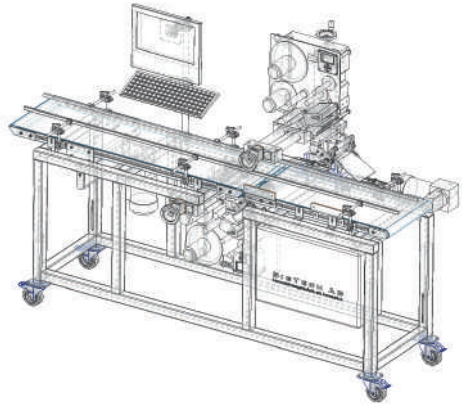
We offer you turnkey solutions with data matrix codes so that you can guarantee quality assurance that complies with market and legal requirements.

- **Aggregation**
- **Validation package**
- **Serialization**
- **Validation service**



MANY YEARS OF EXPERIENCE

CHARACTERIZE US



IN-HOUSE CONSTRUCTION - MECHANICAL WORKSHOP DIRECTLY ON THE PREMISES

Your project is in good hands with us. Using 3D CAD drawings, we not only visualize practical solutions but also impress with our many years of expertise.



CERTIFIED ACCORDING TO ISO 9001

We have been ISO 9001 certified since 2001. We are constantly optimizing and improving our processes in our day-to-day work and are constantly evolving.



SERVICE IN-HOUSE OR DIRECTLY AT YOUR PREMISES

Our high level of service and flexibility is highly valued. We have a large selection of replacement appliances available in our warehouse and offer you services both in our workshop and directly on your premises.



TRAINING ON SITE OR WITH US

Whether online, with us or directly with you, your concerns are important to us and we are happy to pass on our specialist knowledge to your employees.

WE WILL BE HAPPY TO SHOW YOU THE VARIOUS APPLICATIONS

DURING OUR NEXT VISIT

