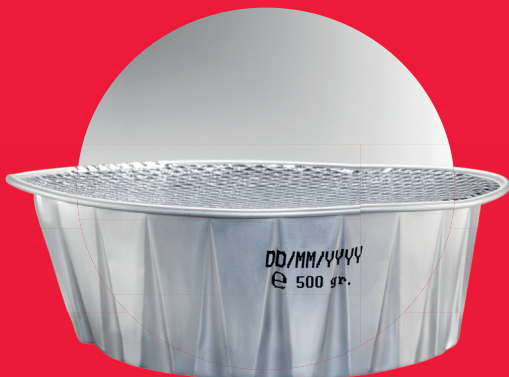


Expert for specialized applications



Versatile printer series for demanding applications, including ultra-fine characters, printing with special inks, and seamless integration into sophisticated production environments and automation processes.



ABOUT LEIBINGER

Trusted partner

Companies from all industries rely on LEIBINGER every day.

Family-owned

Supporting the same values that Paul Leibinger set out in 1948.

Made in Germany

100% precision-engineered at our factory in Tuttlingen.

Disruptive innovation

We're constantly improving and innovating to make our customers more productive.

Sustainability

Solid reliability, fair maintenance and ultra-low power and solvents consumption.

Global presence

Wherever you are in the world, LEIBINGER and our 150 partners are there for you.

Unique technology = Your benefits

1

Highest productivity

LEIBINGER's **fully automatic nozzle sealing technology** is unique in the market. It completely prevents clogging and eliminates the need for time-consuming cleaning by sealing ink in an airtight circuit during printing breaks. This guarantees seamless start & stop functionality and high quality printing at any time — no interruptions, and no downtime.

2

High-precision, ultra-reliable marking

The LEIBINGER brand stands for **unmatched reliability and sustainability**. Our German-engineered printers are crafted to perfection and trusted globally. With 85% in-house production, we ensure maximum quality control. Recognized worldwide as true plug & print solutions, LEIBINGER printers operate seamlessly, providing 100% peace of mind — a testament to our commitment to your success.

3

Lowest costs and maintenance effort

LEIBINGER's state-of-the-art CIJ printers have the **lowest Total Cost of Ownership (TCO)** offering optimized consumables and power consumption, and minimum maintenance. Unlike other printer providers, we focus on replacing only necessary spare parts, avoiding the need to replace entire ink core modules.





JET3 UP Details

| | | |
|-------------|-----------------------------|--------------|
| Print lines | Speed up to | Print raster |
| ≡ 5 | ⌚ 403 m/min 1,322 ft/min | ↕ 32 dots |

Technical details

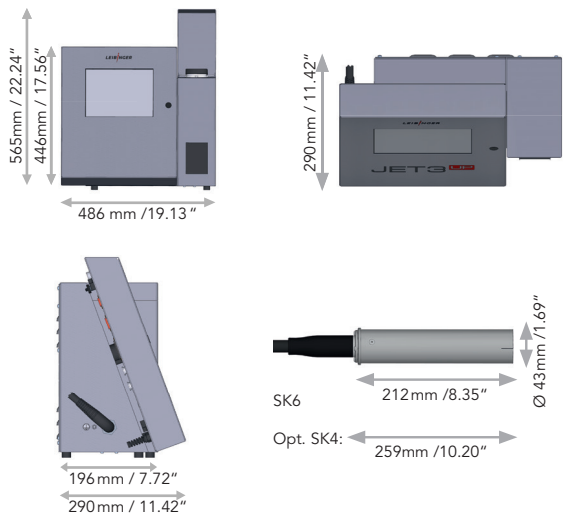
- » LEIBINGER's unique nozzle sealing technology
- » Inks: dye-based, soft pigmented, heavy pigmented
- » Nozzle sizes: 35µm, 40µm, 50µm, 60µm, 70µm
- » IP rating: IP 54, IP 65 (option)
- » Interfaces: USB, Ethernet, I/O signals (9/8), serial interface RS232
- » Touch screen display: 10.4"
- » LEIBINGER Connect remote monitoring software (option)
- » LEIBINGER EcoSolv solvent saving technology (option)

Environmental conditions

- » 100 V-240 V, 50-60 Hz, max. 40 VA
- » Temperature +5°C (+41°F) to +45°C (+113°F)
- » Relative humidity max. 90%, non-condensing
- » No external air pressure necessary (except for IP 65 option)

Dimensions

Umbilical length: 3 m (9.8 ft), 6 m (19.6 ft), 10 m (32.8 ft)



JET3 UP printer line

Quintet for every scenario



Advanced CIJ solution



Engineered for high-contrast inks



Dustproof and waterproof expert



Ultra-fine printing expert



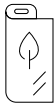
Egg printing specialist



We would put a LEIBINGER on and it would work straight out of the box.

Gary Fogg, Head of Production,
Four Peaks Brewery, USA

Print on any material and on any shape



Bio-foil



Carton



Ceramic



Film



Foil



Glass



Metal



Plastic



Rubber



Wire



Wood



The most important thing for coding of a product is that it works smoothly, with excellent and consistent performance and without any intervention. LEIBINGER printers are beyond comparison in this respect. With the LEIBINGER technology I'm safe and don't have to worry about production downtimes.

Maciej Kucharczyk, Production Maintenance Manager, POLIPAK (Sarantis Group), Poland

Get in contact with:

LEIBINGER experts:

info@leibinger-group.com

leibinger-group.com

Local LEIBINGER partner:

SIGTECH AG

sigtech@sigtech-ag.ch

sigtech-ag.ch